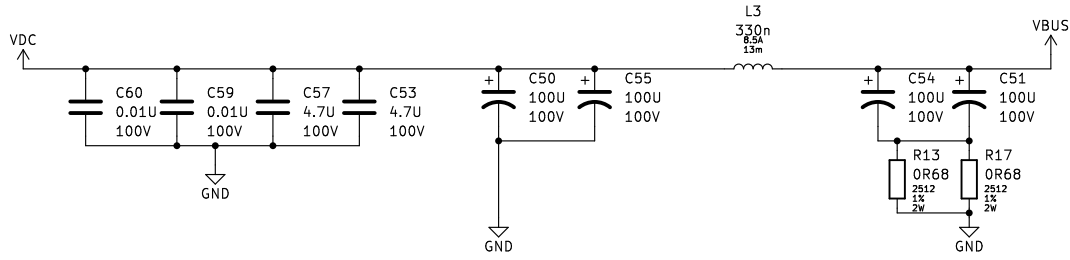
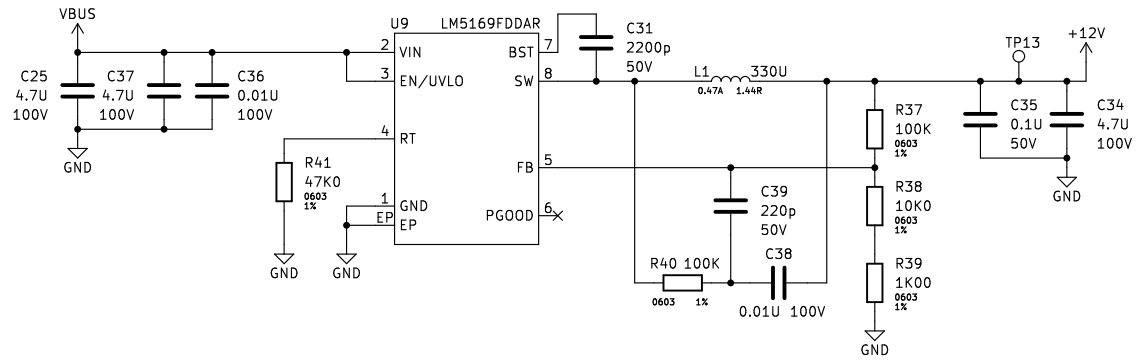


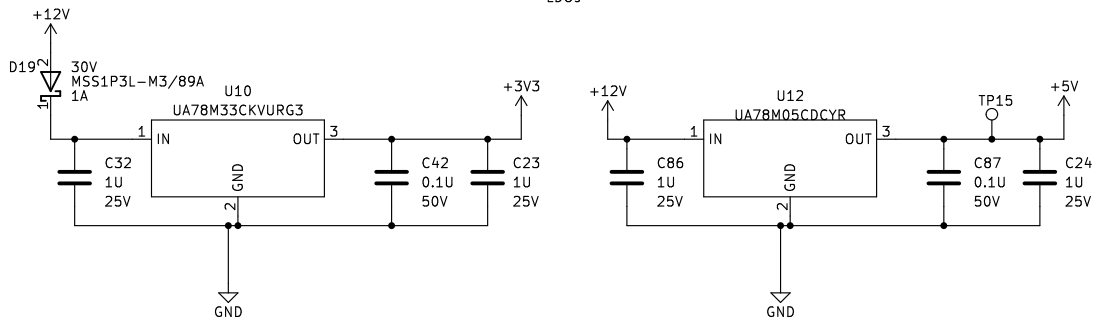
### EMI FILTER



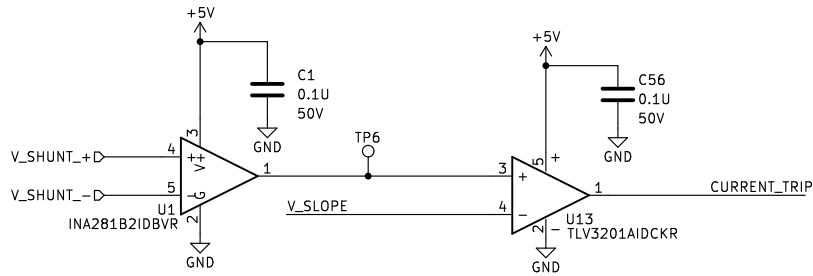
### 72V - 12V BUCK CONVERTER



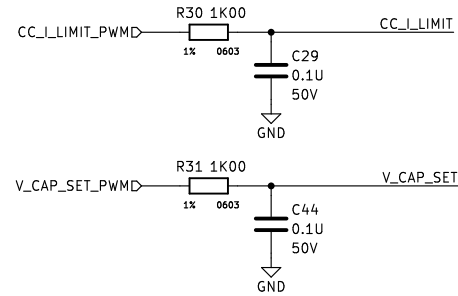
### LDOs



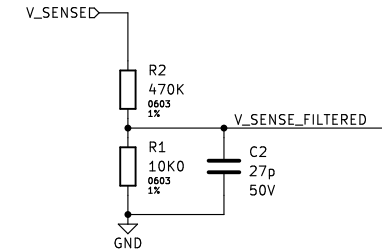
PEAK CURRENT DETECTOR



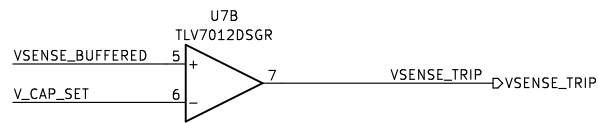
LIMIT PWM FILTERING



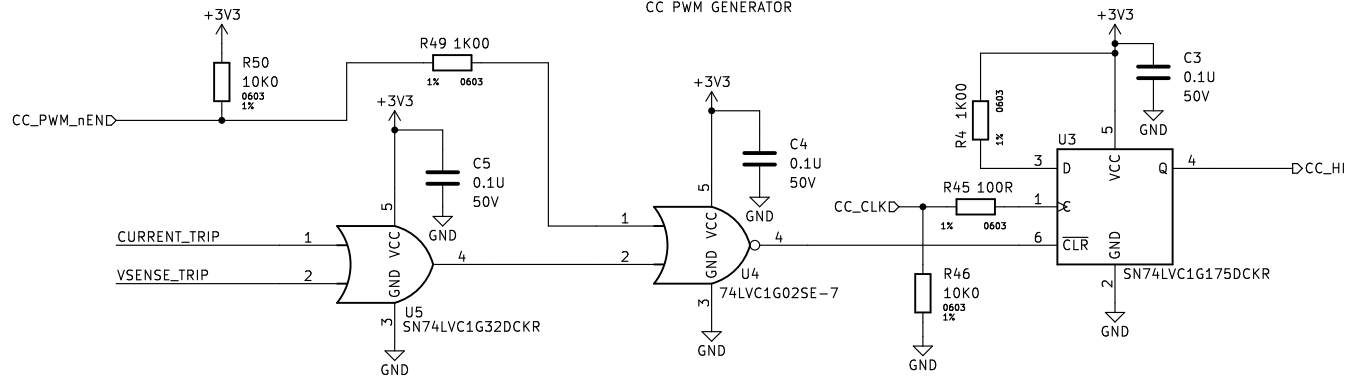
V\_SENSE SCALING / FILTERING



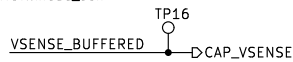
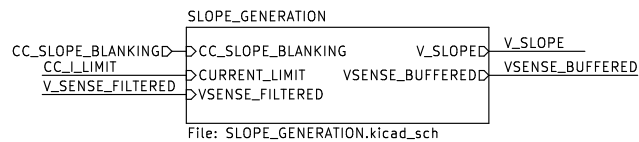
PEAK CAP VOLTAGE TRIP



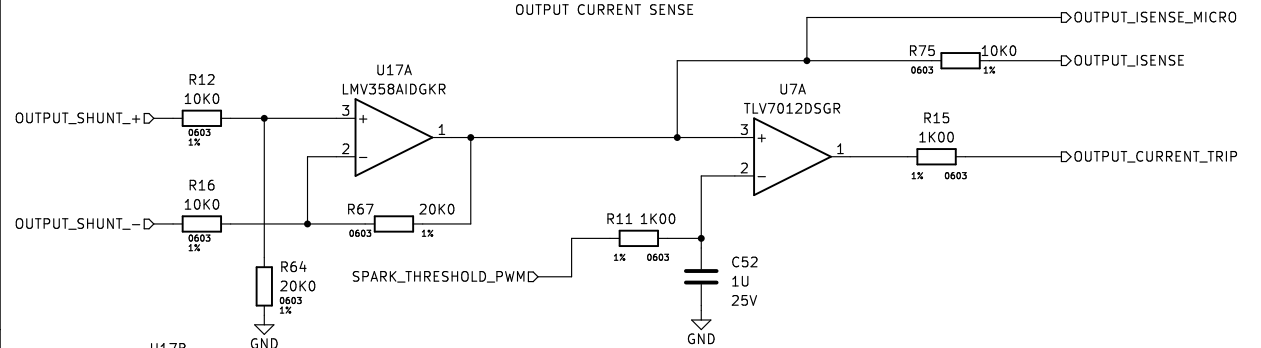
CC PWM GENERATOR



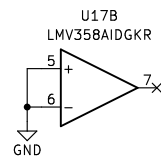
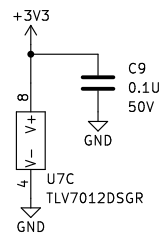
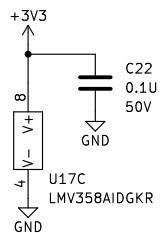
CC CURRENT LIMIT COMPENSATION SLOPE GENERATOR

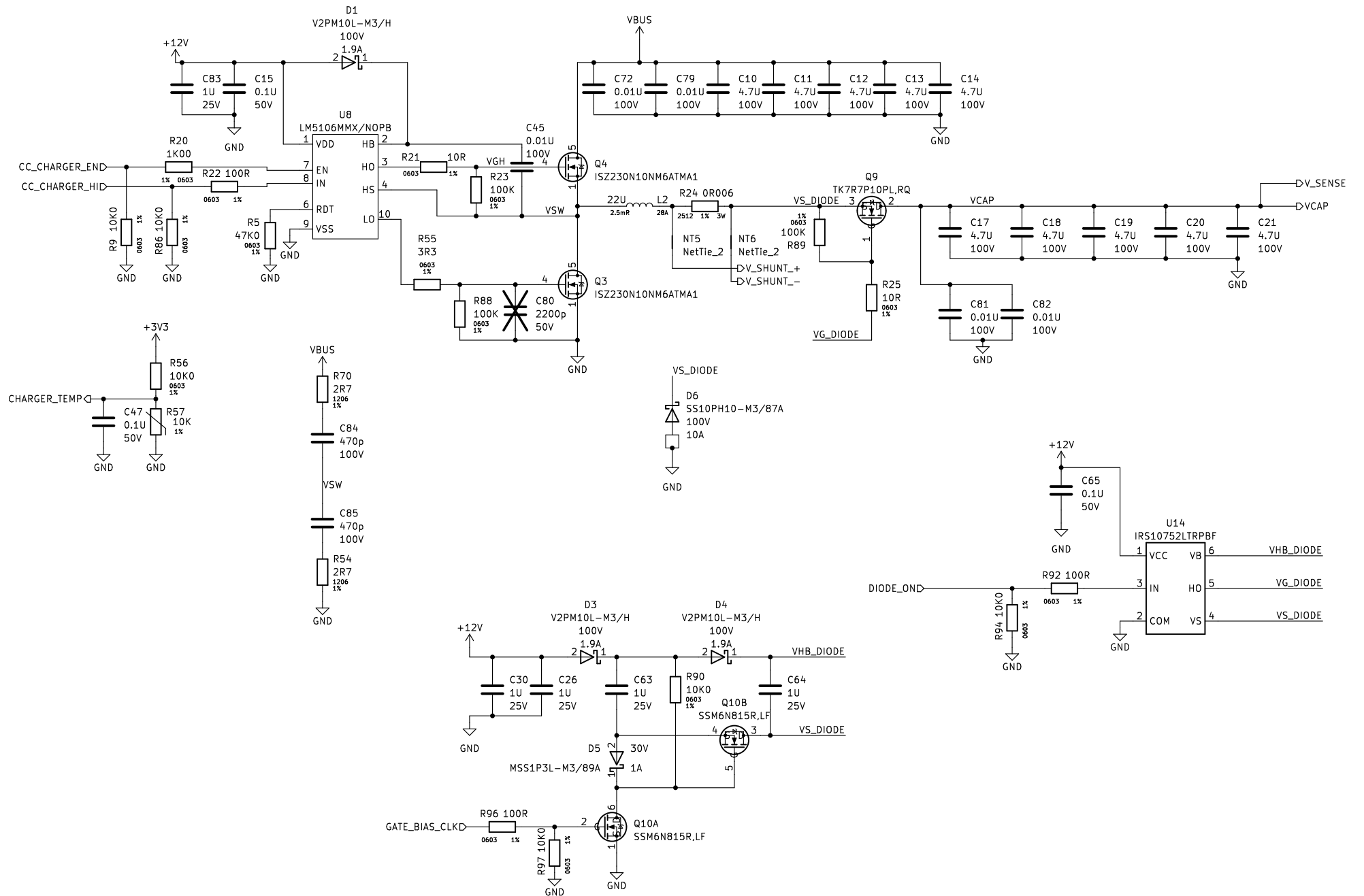


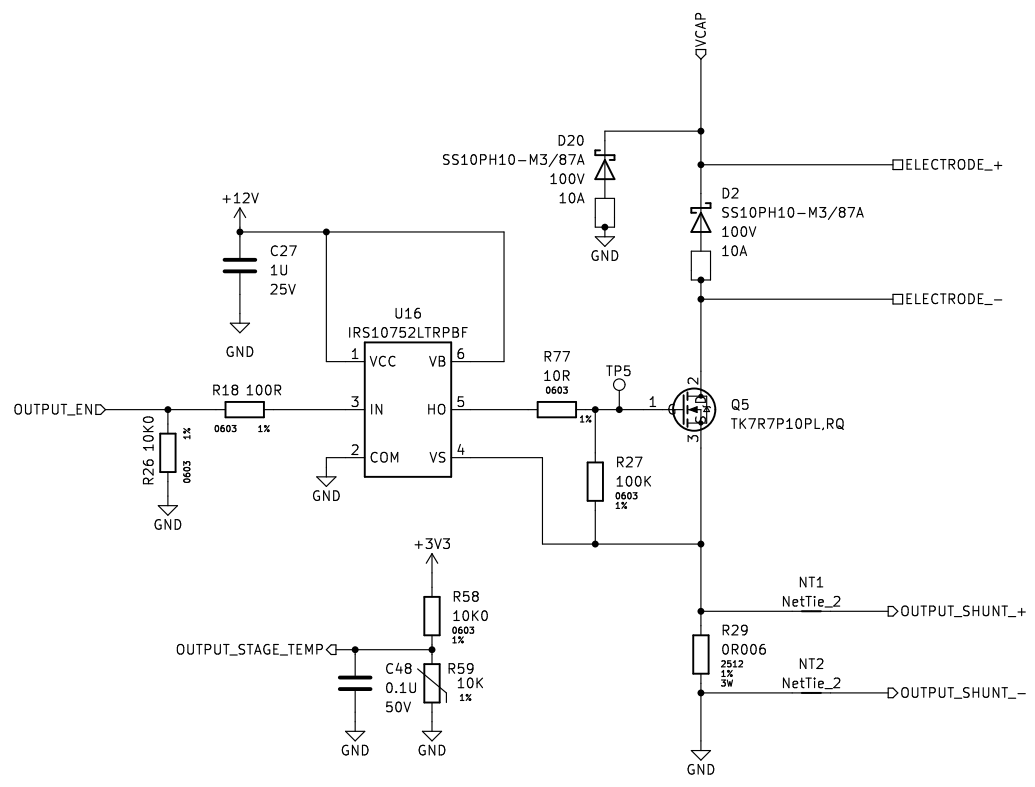
OUTPUT CURRENT SENSE



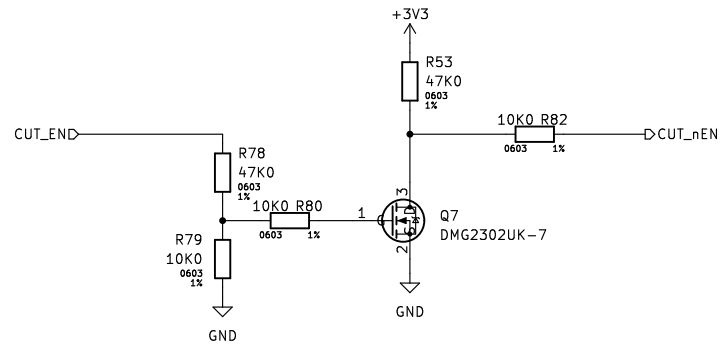
DECOUPLING CAPS



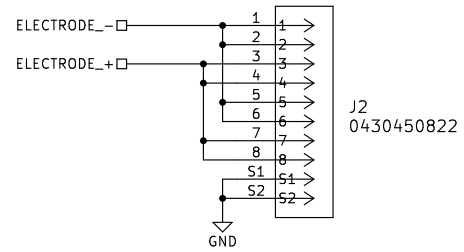




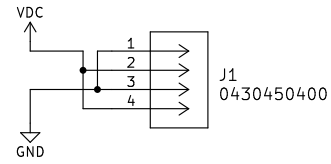
EXTERNAL CUT ENABLE HANDLING



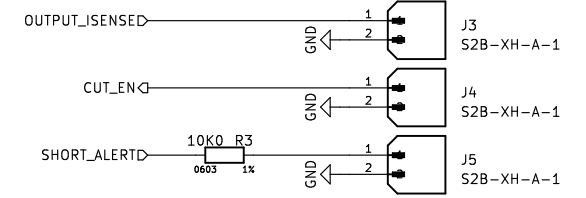
MACHINING OUTPUT



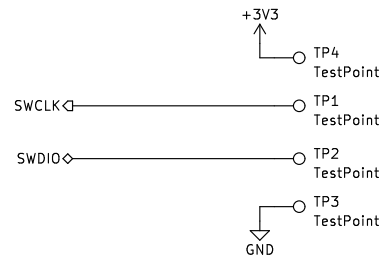
INPUT SUPPLY



I/O



PROGRAMMING



USB

